



BRUCE'S CUSTOM COVERS
 989 E. California Ave.
 Sunnyvale, CA 94085
 www.aircraftcovers.com
 a div. of Canvas Works, Inc.

Phone: 408/738-3959
 Toll Free (U.S.): 800/777-6405
 Fax: 408/738-2729
 E-mail: bruce@aircraftcovers.com
 manufacturer of the finest custom-made aircraft covers

CANOPY COVER ORDERING INFORMATION, Page 1

INSTRUCTIONS: Print Form, Fill Out, Fax to 408/738-2729

NAME _____

SHIPPING ADDRESS _____

PHONE, FAX, EMAIL _____

PAYMENT BY: Visa MasterCard Amex Discover (check one)

All shipments are F.O.B. Sunnyvale, California, shipping by UPS (Ground or 2nd Day Service) unless requested otherwise.

Credit Card Number _____ Exp. Date _____ V-Code _____

* Visa, Mastercard, Discover: last 3 numbers on back of card, right of signature. Amex: 4 smaller numbers printed on face of card.

AIRCRAFT TYPE _____ YEAR _____ N _____
reg. number

AIRCRAFT COLORS (be specific) _____

DO YOU WANT YOUR N-NUMBER IMPRINTED ONTO COVER? (\$30 CHARGE) YES NO (check one)

**Specify below ALL of the items you would like to order.
 See Technical Sheet For Part Numbers (or fill in description)**

part number	quant	description	price

TEMPERATURE PROBE (OAT) WORKSHEET

Not on this aircraft



OAT on Windshield

A Distance from top Windshield			
B Offset from Centerline			
OAT Offset (check one)	Left	Center	Right
C OAT Height			

OAT on Side Window

A Distance back from fwd edge	
B Distance up from lower edge	
C OAT Height	

rev. date: 2/15/07

Additional Ordering Information: see Page 2

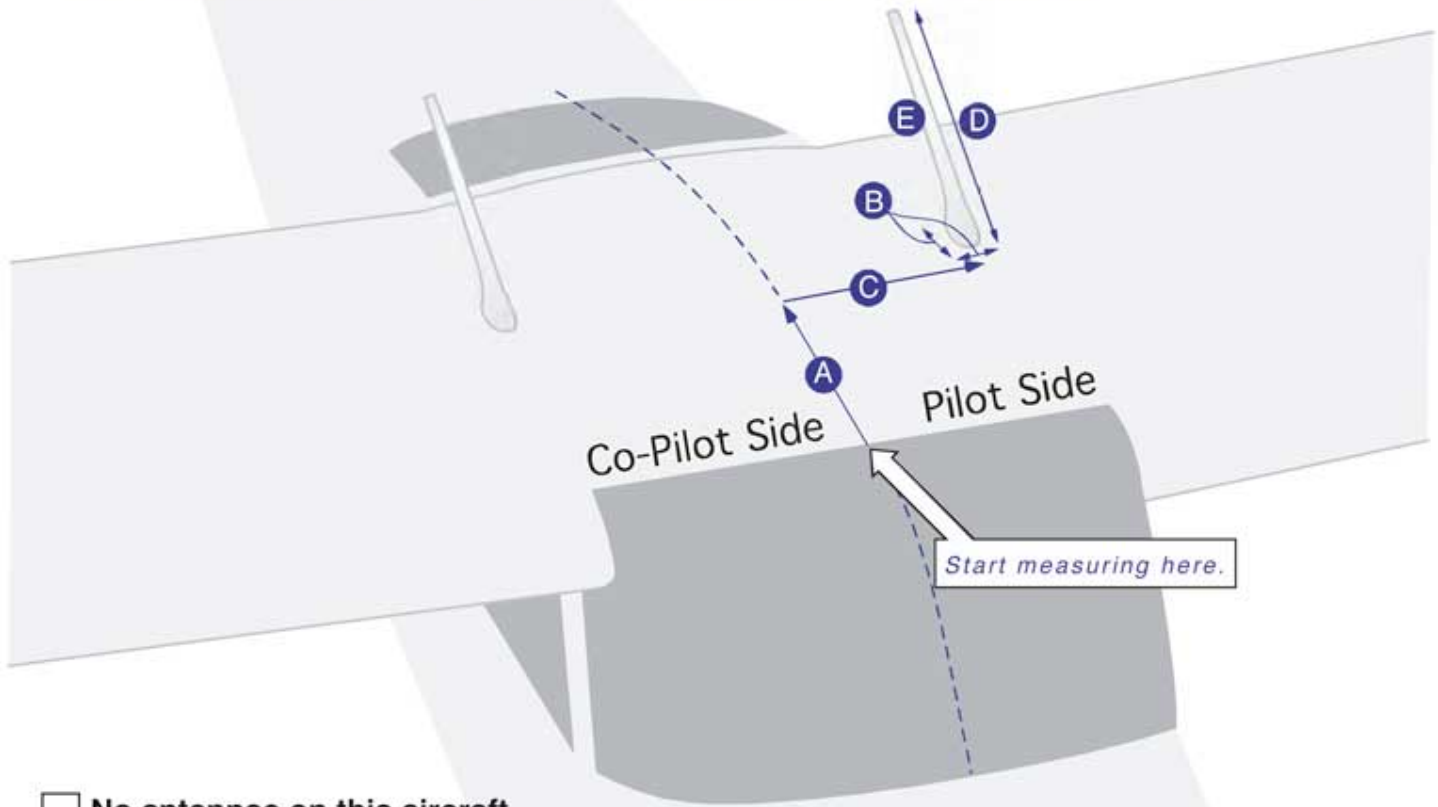
NAME: _____

ANTENNA PLACEMENT WORKSHEET

INSTRUCTIONS: Print Form, Fill Out, Fax to 408/738-2729

ANTENNA TYPES

1 Com Antenna type 1	2 Com Antenna type 2	3 Com Antenna type 3	4 Large "V" Antenna	5 Mooney "7" Antenna
6 Small "V" Antenna	7 Garmin Fin / TCAS	8 ADF Wire Antenna: A	9 ADF Wire Antenna: B	NOTE If none of these, sketch outline of antenna, then measure length & width of base.



No antennae on this aircraft

A Distance from top of Windshield **B** Length/Width of Antenna base **C** Offset from Centerline Antenna Offset (circle one) **D** Slope length of Antenna (types 1-3) **E** Antenna Type (see types above)

Example	<i>34 5/8"</i> <small>(inches or metric)</small>	<i>5 1/2" x 3 1/4"</i>	<i>9 1/2"</i>	Left <i>X</i> <small>(pilot)</small>	Center	Right <small>(co-pilot)</small>	<i>18"</i>	<i>1</i>
Antenna #1				Left	Center	Right		
Antenna #2				Left	Center	Right		
Antenna #3				Left	Center	Right		
Antenna #4				Left	Center	Right		

rev. date: 2/15/07

Measuring for a Propellor Cover

INSTRUCTIONS: Print Form, Fill Out, Fax to 408/738-2729

Spinner and blade dimensions on propellers vary, even among similar models. Producing a well-made propellor cover depends upon the following measurements.

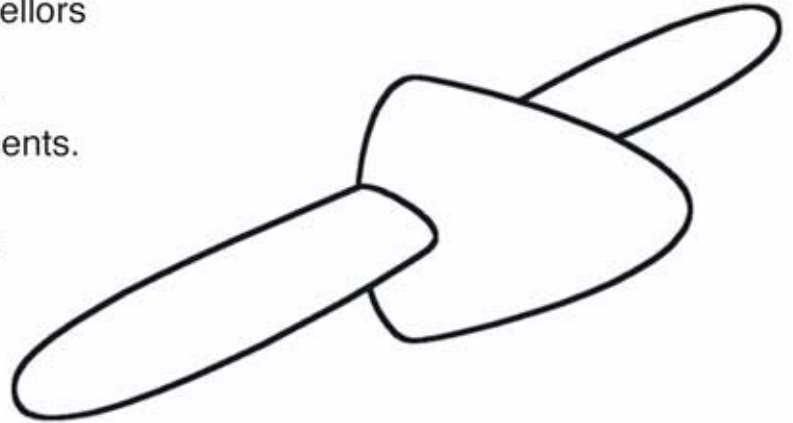
If you have any questions or problems, please call.

Please Check One:

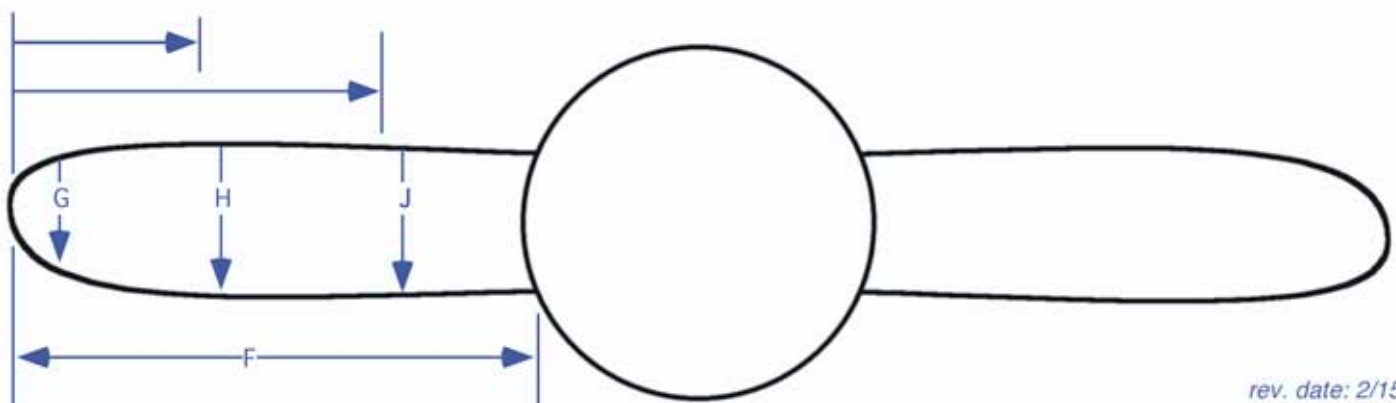
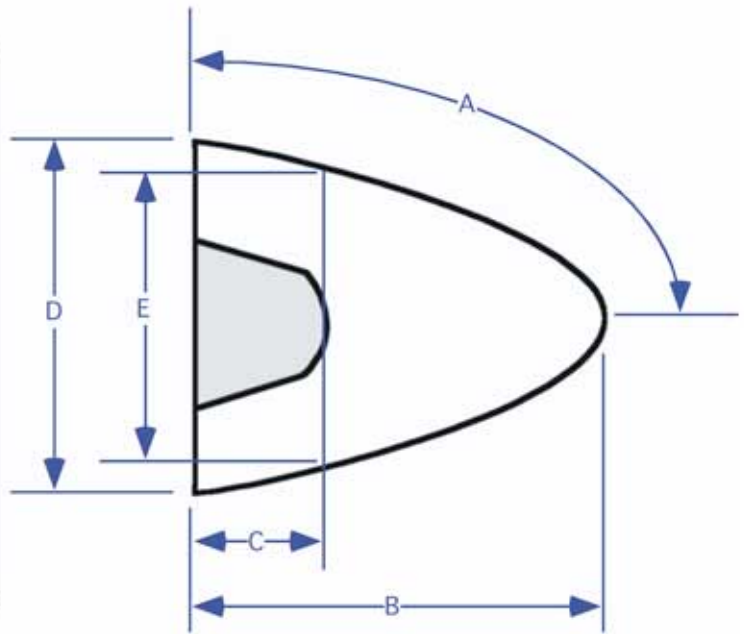
2-Blade

3-Blade

4-Blade



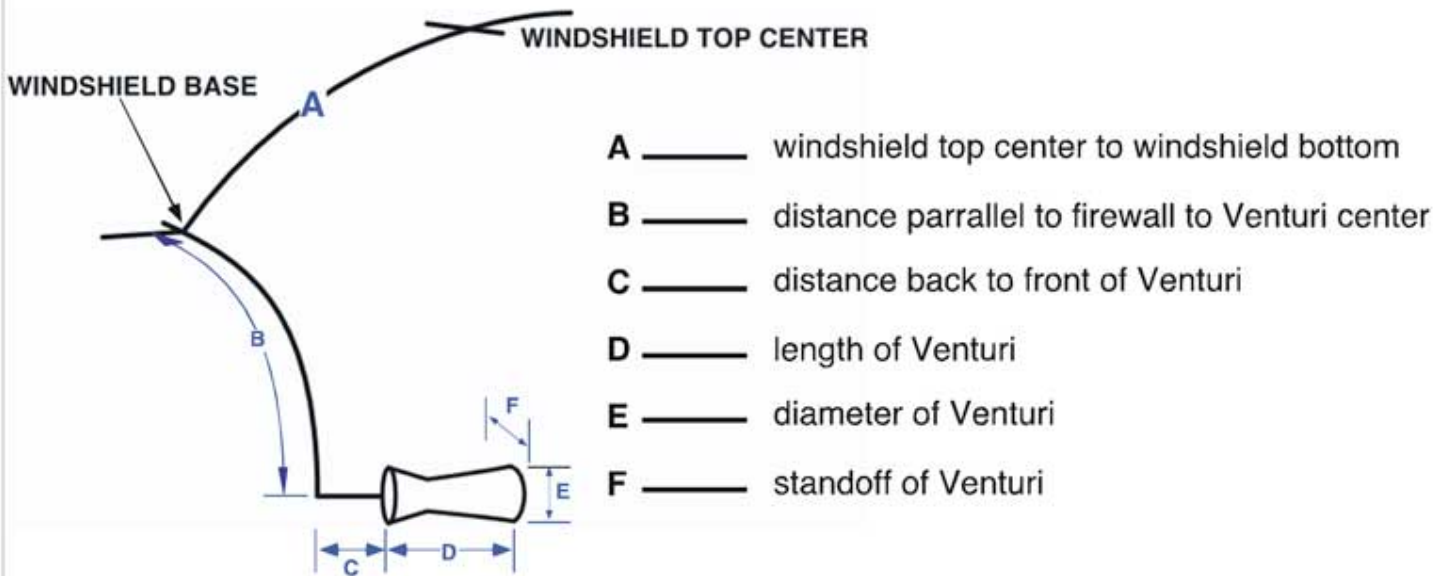
- A _____ (measure along surface of cone)
- B _____ (measure "straight line" base to tip)
- C _____ (base to top of blade root opening)
- D _____ (provide diameter or circumference)
- E _____ (provide diameter or circumference)
- F _____ (blade root to prop tip)
- G _____ (trailing edge to leading edge)
- H _____ (trailing edge to leading edge)
- J _____ (trailing edge to leading edge)



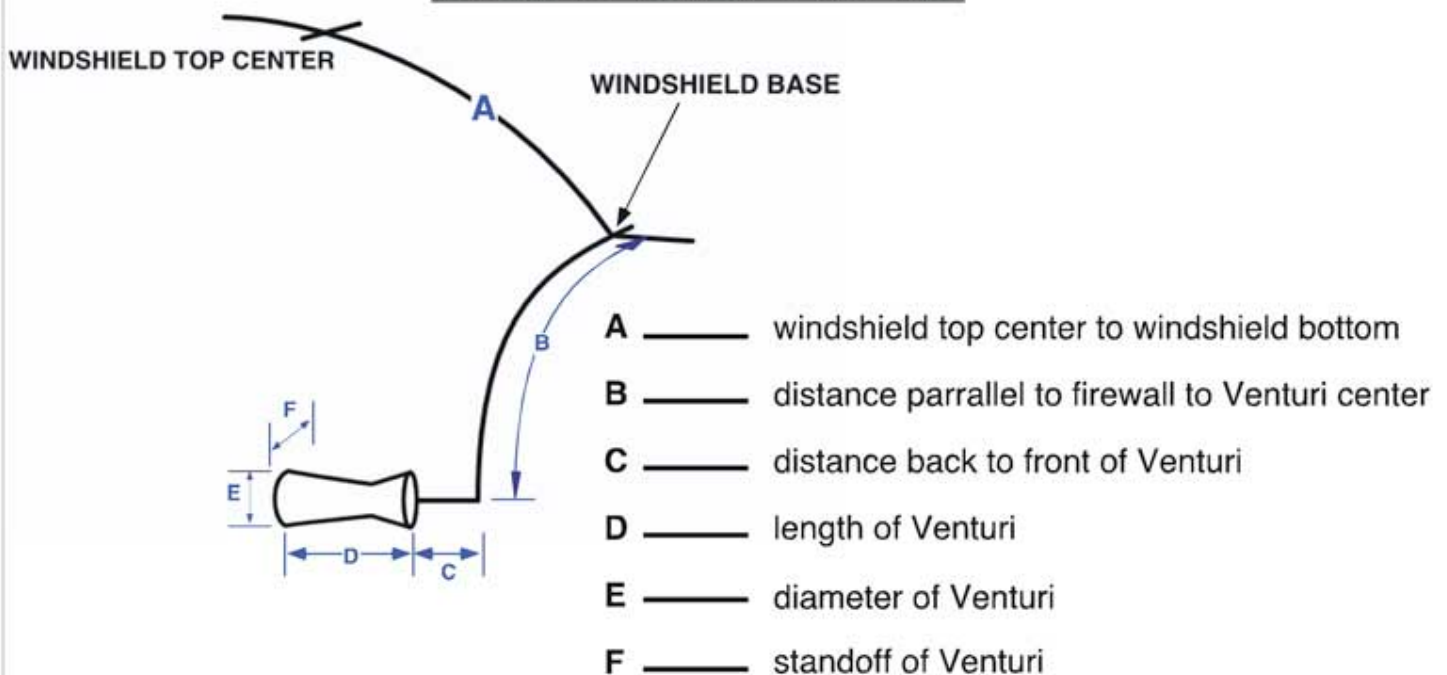
VENTURI TUBE PLACEMENT WORKSHEET

INSTRUCTIONS: Print Form, Fill Out, Fax to 408/738-2729

LEFT SIDE VIEW



RIGHT SIDE VIEW



rev. date: 2/15/07