



**THE 406 MHz ELT TRANSMITTER
WITH INTERNAL GPS**



INTERNAL GPS

Emerging Lifesaving Technologies presents the first ELT with an internal GPS that is approved for General Aviation use. Along with the new standard 406MHz emergency signal, Cospas/Sarsat satellites will read your current GPS position. In flight, the GPS unit automatically updates your present position every 15 seconds. Upon activation, a 5 watt signal bursts every 50 seconds to the Global Satellite System. Your location within 25 meters will then be transmitted to search and rescue in less than one minute.

EASY TO INSTALL

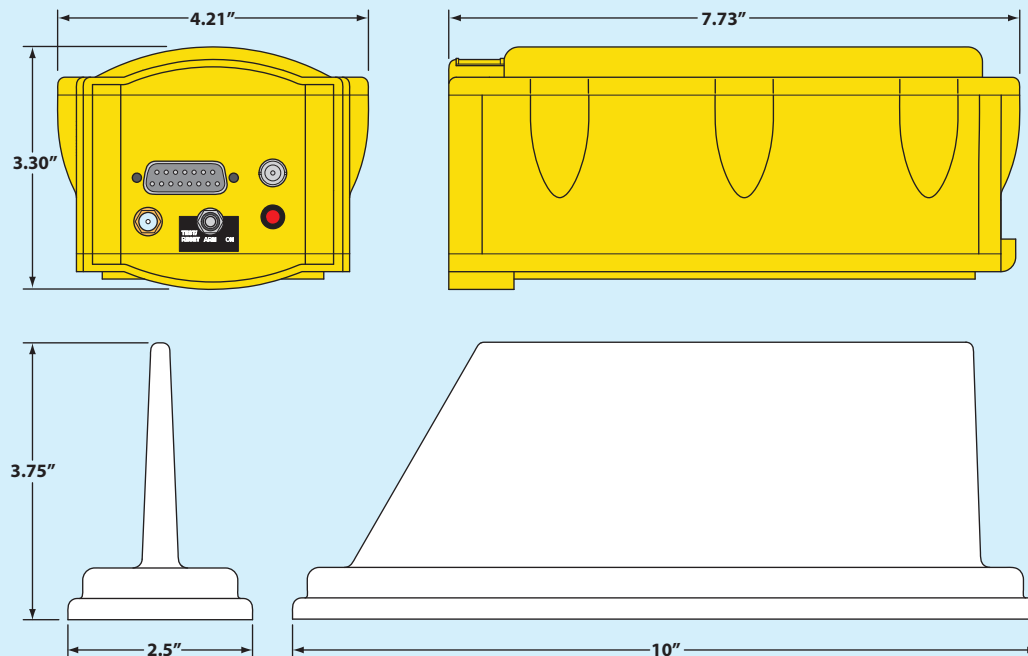
The ELT406GPS mounts like most standard ELT's. The transmitter and the panel mounted remote switch/indicator can often utilize existing hardware and cut-outs from your outdated unit. With the built-in GPS module, there is no need to install an expensive interface to an external GPS system. Maintenance is also easy with an owner/operator replaceable 5-year battery.

DUAL-PURPOSE ANTENNA

The ELT406GPS comes with both 406MHz broadcast and GPS passive antennae combined in a single sleek blade configuration for easy one-place installation.

AMERICAN MADE

With American ingenuity, and American Engineering, Emerging Lifesaving Technologies is committed to keeping all of their products "Made in America".



GENERAL DIMENSIONS ELT406GPS WITH MOUNTING TRAY & ANTENNA

Technical Specifications:

Frequency

406.037MHz
Monitored by COSPAS/SARSAT

Class 2 Beacon

-20°C to 55°C

Output Power

5W (520ms/50sec)

GPS Cycle time

Every 15 Seconds

Connectors

ELT: BNC
GPS: SMA

Activation

Accelerometer by 4.5ft./sec (2.3G)
or Manual Activation

Battery

5-year Lithium (LiMnO2)

Self Test

406 Power Accelerometer Enabled
406 Intelligent Antenna™ Check
GPS Intelligent Antenna™ Check
Battery Power Monitor
Systems Operational Indicator

Remote Switch

ON, ARM, TEST/RESET
Tri-Color LED and Aural Indicator

Antenna

Blade 114-042(-)

Included Parts

Coax Cables
Antenna
Remote Switch
Install Kits

Weight

ELT Transmitter: 3.1 lbs.
Antenna: 0.9 lbs.

Dimensions

ELT: 7.73" L, 3.60" H, 4.21" W
Antenna: 10.00" L, 3.75" H, 2.50" W